

PMDC Right Angle Gearmotor

Model 31RA (100W)

Worm gearboxes have the distinct advantage of having very low audible noise. The right angle output configuration results in a compact, low-profile mounting.

Extraordinary efficiency, relative to standard worm gearboxes, is achieved with the use of a custom-designed, high-strength plastic worm wheel with optimized tooth profile. This special design allows the gearmotor to be easily back-driven. The high efficiency, in the 75% - 80% range, allows the use of a smaller, more energy efficient motor to achieve the same output torque vs. a standard worm gearbox.



Features

- High efficiency
- Back-drivable
- Low audible noise
- Long life brushes
- U/L construction recognized
- Ball bearings in motor & gearbox
- Wide temperature range: -40°C - +120°C
- High radial and axial loads
- Face or foot mounting
- Single, double, or hollow shaft configuration



Specifications

- 80 Watts output
- 6 – 220V DC
- Up to 3 Nm (26 in-lb) continuous torque
- Gear reduction 10:1 or 15:1

Optional features

- Magnetic encoder
- Optical encoder
- Custom wire harness
- Pulley
- Electromechanical brake
- Custom single or double output shaft

Applications

- Sliding doors
- Low energy “ADA” doors
- Elevator doors
- Platform screen doors
- Fire doors
- Turnstiles & security gates
- Wheelchair ramps
- Conveyors
- Packaging equipment
- Material handling

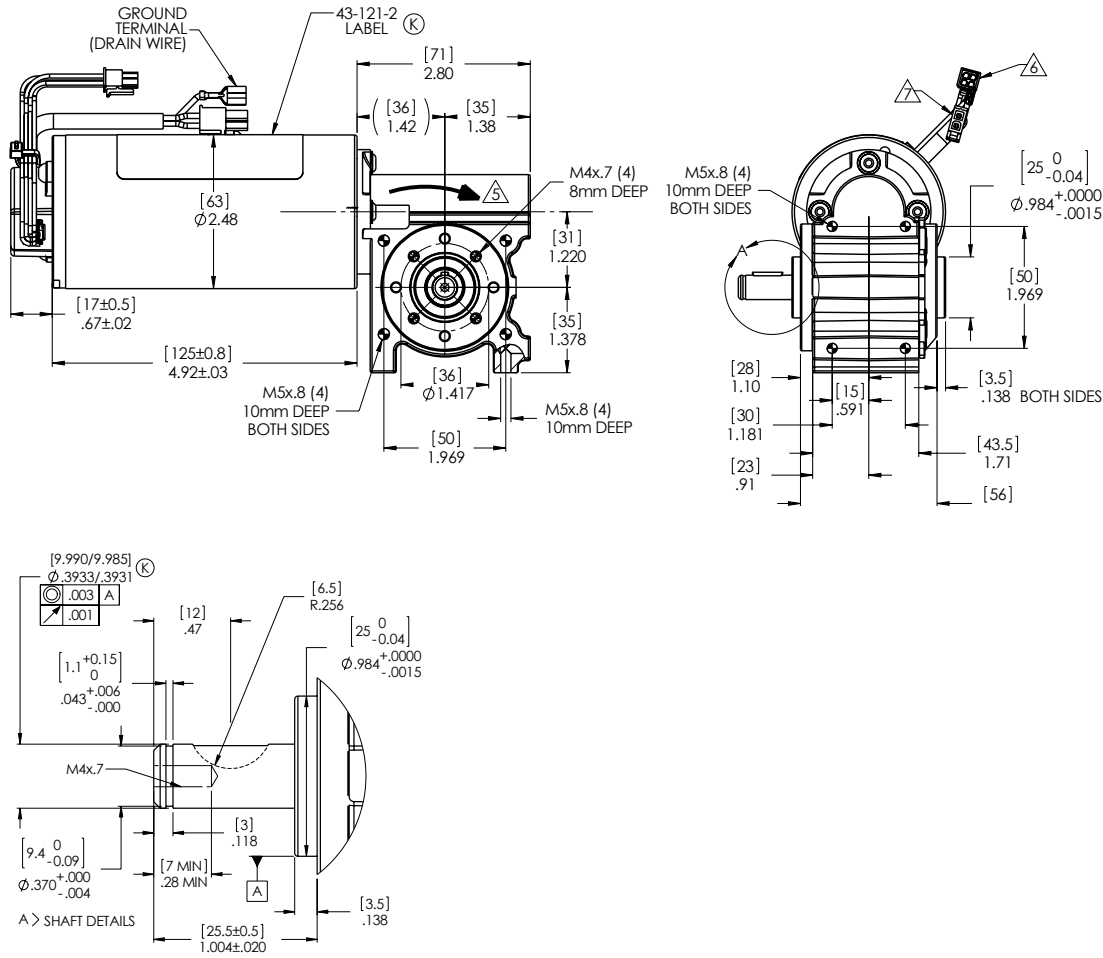


Merkle-Korff Industries®

A Kinetek Company®

Merkle-Korff Industries
 25 NorthWest Point Blvd., Suite 900
 Elk Grove Village, IL 60007
 Phone: (847) 439-3760
 Fax: (847) 439-3963
 Email: sales@merkle-korff.com
 Web: www.merkle-korff.com

Dimensional diagram



Motor Data

Motor Type	63125D	
Voltage (V)	12	24
Output Power (Watts)	85	85
Continuous rated speed (RPM)	3200	3200
Continuous rated torque (Ncm)	25	25
Continuous current (Amps)	9	4.5
No load speed (RPM)	3600	3600

Gearbox Data

Gearbox Type	31RA	31RA
Gear reduction (ratio)	10	15
Efficiency (%)	80	78
Output Torque (Ncm)	200	292

